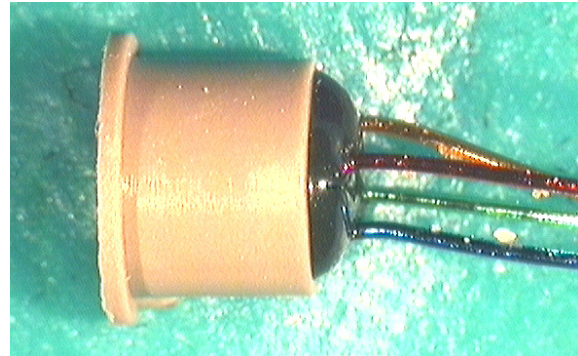
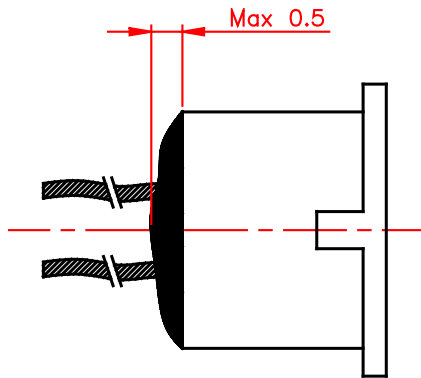


# Technical Bulletin



## CS 43/44/45 Socket Reinforcement on Back of Socket

### CS 43/44/45 Improved Robustness

Sonion is pleased to announce that a new feature, which improves the robustness of the components, is now available for all existing versions of the CS 43/44/45 Sockets. The new feature - reinforcement on the back of the socket - is illustrated above.

The new feature is part of Sonion's continuous improvement philosophy and has been qualified according to our MQC Program. The MQC Report was available from April 2001 and will be forwarded upon request. The technical data sheet including this feature was also updated in April 2001.

Ordering the new feature will automatically generate a new Sonion part number, however, for further information or sample request, we kindly ask you to contact your normal sales contact person.

Compared to the previous version, the new feature has the following impact:

- Improved mechanical and electrical reliability
- Significantly improved robustness
- Difference in dimensions around gluing area

Dan Lundahl  
Quality Manager  
Medical Division